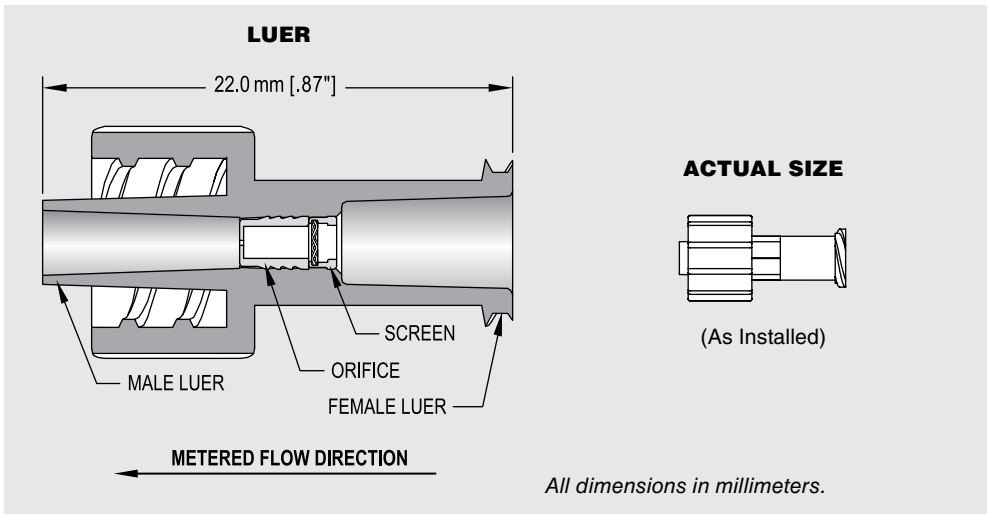


LIQUID ORIFICE - LEE IMH SCREENED ORIFICE IN MALE TO FEMALE LUER



LEE PART NO.	LOHM RATE
RESM0505000S	5,000
RESM0505500S	5,500
RESM0506000S	6,000
RESM0506500S	6,500
RESM0507000S	7,000
RESM0507500S	7,500
RESM0508000S	8,000
RESM0508500S	8,500
RESM0509000S	9,000
RESM0509500S	9,500
RESM0510000S	10,000
RESM0515000S	15,000
RESM0520000S	20,000
RESM0525000S	25,000
RESM0530000S	30,000
RESM0535000S	35,000
RESM0540000S	40,000
RESM0545000S	45,000

PERFORMANCE
Metered Flow
Lohm Rate Tolerance: $\pm 5\%$
Screen Size: 40 Micron
Test Fluid: Distilled Water

MATERIALS
Fitting..... Polypropylene - Natural
Orifice..... 303 Stainless Steel
Screen Body... 303 Stainless Steel
Screen..... 316 Stainless Steel